

# Installation Sheet

## Universal Camera Flex Mount

71-0174A 10/2009

For CCUFM-M-K & CCUFM-C-K

pg. 1 of 2

### Parts List - CCUFM-M-K:

Item No.	Component Parts	Qty.
1	BRKT CRS CAMR MNT BLK	1
2	CABLE STL SAFETY 12"	1
3	FLEX PLASTIC SEGMENT 1 BEAD BLOCK	2
4	FLEX PLASTIC SEGMENT 7	1
5	BOLT HEX HD GR5 1/4-20X1.25 ZC ROHS	1
6	WSHR FL .281 X .625 X .065 SST	2
7	NUT 1/4-20 HEX CNTR LOCK SST	1
8	BOLT ALLEN 1/4-20X1	1
9	MAGNET ROUND	1



### Applications:

This flexible mount can save time and money because the magnet provides a quick, rapid installation on metal surfaces. Use the magnet on air conditioning ducts, pallet racks, light fixtures, roof support flanges, electrical junction boxes, or any flat, steel surface or object.

### Instructions & Precautions:

Continued handling and use of the flex mount will result in the mount segments becoming less rigid and too flexible and lose. When this occurs, remove the oil from the segments by spraying the mount with a cleaner that leaves NO RESIDUE and debris, such as computer or electrical cleaner. Bend the flex mount into a "C" shape and spray one side of the segments, and then bend it the other way and spray the other side of segments. After spraying all areas of the segments, the original rigidity will return.

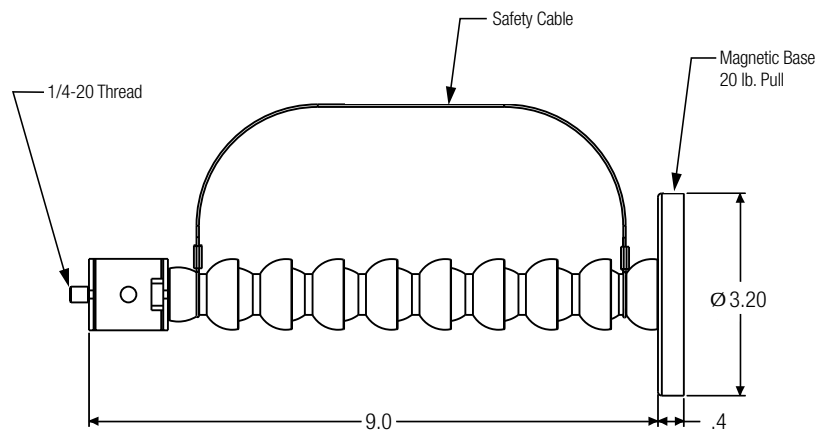
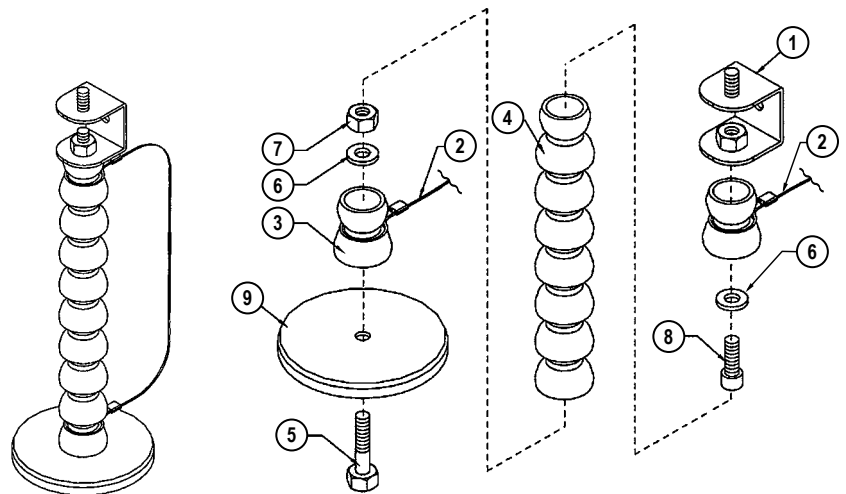
Maximum recommended load is 20 lbs.

#### CAUTION:

When pushed beyond its limit, the mount segments will separate. (The safety cable will keep the camera from falling). To reconnect, use a very firm pressure and push the segments back together.

#### NOTE:

When removing the magnet from surfaces, slide off or pry up. Avoid pulling mount straight up from the surface. This could cause the segments to separate.



[www.EMISecurity.com](http://www.EMISecurity.com)

# Installation Sheet

## Universal Camera Flex Mount

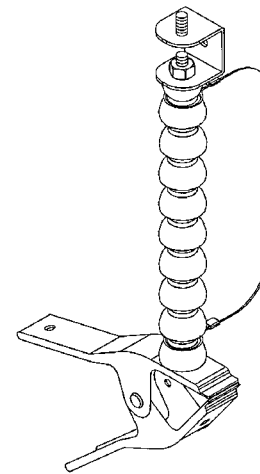
71-0174A 10/2009

pg. 2 of 2

For CCUFM-M-K & CCUFM-C-K (Continued)

### Parts List - CCUFM-C-K:

Item No.	Component Parts	Qty.
1	BRKT CRS CAMR MNT BLK	1
2	CABLE STL SAFETY 12"	1
3	FLEX PLASTIC SEGMENT 1 BEAD BLOCK	2
4	FLEX PLASTIC SEGMENT 7 BEAD BLOCK	1
5	BOLT HEX HD GR5 1/4-20X1.25 ZC ROHS	1
6	WSHR FL .281 X .625 X .065 SST	2
7	NUT 1/4-20 HEX CNTR LOCK SST	1
8	BOLT ALLEN 1/4-20X1	1
9	CLAMP	1



**CCUFM-C-K**

