

Installation Sheet In-Ceiling Camera Housings

71-0175A 10/2009

pg. 1 of 3

Instructions For SO-ITCH, ITCH-1, & SNITCH

The ITCH-1 has (6) 1/2" electrical knockouts in the ceiling box. Two on the top and two on each end for cable entry. The holes will match most electrical outlet boxes for AC power.

The SO-ITCH and SNITCH have four (4) knockouts — two in each end of the ceiling box.

LOCATION AND MOUNTING OF HOUSING:

- A. When the location has been selected, be certain there are no obstructions or obstacles above the ceiling such as joists, wiring, pipes, etc.
- B. Measure ceiling area for box cutout, or place box on the ceiling and trace around it for cutout size and location.
- C. Slip box into cutout with cover off. Or open and mark the mounting holes on the ceiling.
- D. Remove box and drill or punch holes in the ceiling.

NOTE: Depending upon type of ceiling, the appropriate method should be used.

SUSPENDED CEILINGS:

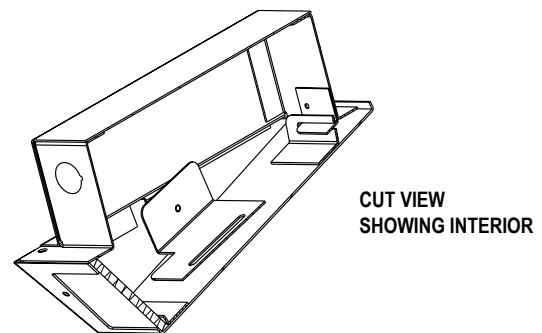
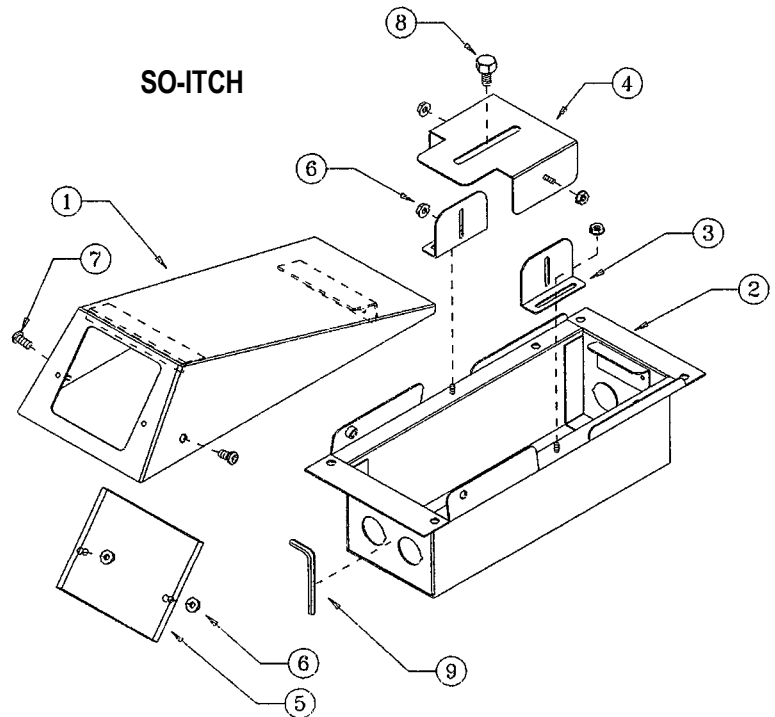
(ITCH-1RK) T-bar ceiling rail kit must be used for this type of installation.

- A. Slip housing box through hole in ceiling tile. The rails should be resting on top of the "T" bar ceiling grid rail.
- B. Attach rails to housing using 10-32 x 2" screws (supplied in kit).

NOTE: The rails can be positioned across the front/back or along the sides of the housing, depending on position of housing and grid structure.

Parts List - SO-ITCH:

Item No.	Component Parts	Qty.
1	WELDMNT CVR CAM SO-ITCH	1
2	WELDMNT BASE CAM SO-ITCH	1
3	BRKT CRS SIDE MNT 18GA SO-ITCH	2
4	BRKT CRS CRDL CAMR 18GA SO-ITCH	1
5	WNDW LXN CLR 3.12X0.25X3.75 SO-ITCH	1
6	NUT 6-32 HEX	6
7	SCR SST MS BTN SKT HD 10-32X.375	2
8	BOLT HEX HD GR5 1/4-20X3/8 ZC ROHS	1
9	WRENCH ALLEN TAMPER RESISTANT 5/32	1



www.EMISecurity.com

Installation Sheet In-Ceiling Camera Housings

71-0175A 10/2009

pg. 2 of 3

Instructions For SO-ITCH, ITCH-1, & SNITCH (Continued)

PERMANENT OR PLASTERED CEILINGS:

(Ceilings that are not accessible from behind or above)

1. Electrical and video cable must be pulled through hole in ceilings and attached to housing before housing can be installed in ceiling.
2. Housing must be attached to structural member of ceiling or additional support must be supplied. Depending on type of ceiling, the following hardware may be used.
 - a. #10 or #12 wood screws.
 - b. Toggle or molly bolts.

NOTES OF CAUTION:

- A. Care must be taken when installing housing into cutout hole in ceiling. Be certain not to pinch or snag cables. Be certain cables are clear of all installation hardware.
- B. Be certain all mounting hardware is tight. Install camera on housing, close cover to check for lens clearance to front window, and adjust to about 1/4".
- C. Make final viewing adjustments, close and secure cover with 1/4-20 tamper-resistant screws (hardware may vary) supplied with housing.

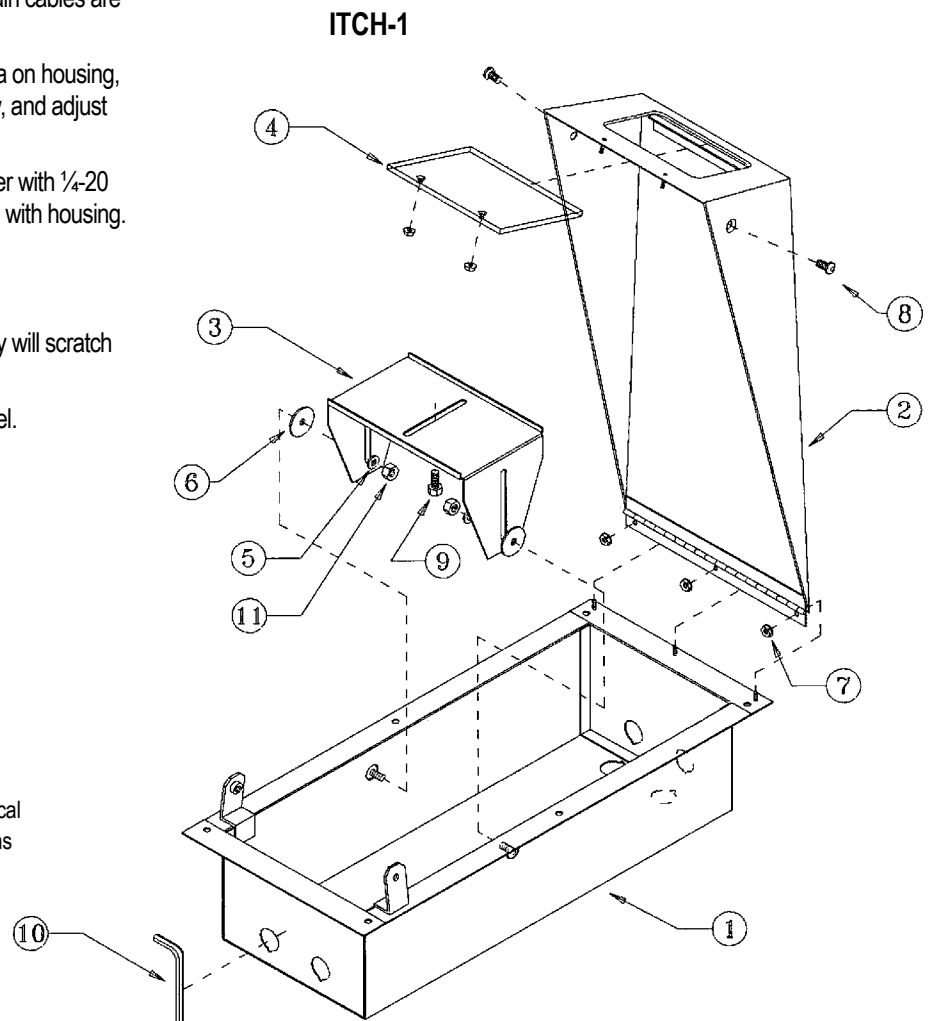
TO CLEAN HOUSING:

- A. Use soap and water and a soft cloth.
- B. NEVER clean the window with abrasive cleaners. They will scratch the window.
- C. NEVER wipe the window with a dry cloth or paper towel.

NOTE: EMI installation instructions are guidelines and are furnished only as a recommendation to qualified personnel installing this product. The instructions are not construed as the only means of installation that can be used. It is recommended that the purchaser of this product contact local government authorities and be cognizant of local regulations regarding safety, electrical or structural requirements.

Parts List - ITCH-1:

Item No.	Component Parts	Qty.
1	BASE WELDMENT	1
2	COVER WELDMENT	1
3	CAMERA CRADLE	1
4	WINDOW, PUNCHED	1
5	FLAT WASHER, 1/4	2
6	FINDER WASHER, 1/4x1 1/4	2
7	KEP NUT, 6/32	5
8	SCREW, ALLEN, 1/4-20x3/8	2
9	BOLT, 1/4-20x3/8, HH	1
10	ALLEN WRENCH, 5/32, T/R	1
11	HEX NUT, 1/4-20	2



www.EMISecurity.com

Installation Sheet In-Ceiling Camera Housings

71-0175A 10/2009

pg. 3 of 3

Instructions For SO-ITCH, ITCH-1, & SNITCH (Continued)

Parts List - SNITCH:

Item No.	Component Parts	Qty.
1	BASE, HOUSING	1
2	COVER, HOUSING	1
3	CRADLE, CAMERA	1
4	BRACKET, SIDE MOUNT	2
5	WINDOW	1
6	WRENCH, T/R 5/32 ALLEN	1
7	SCREW, T/R 10-32x3/8	2
8	KEP NUT, 10-32	1
9	KEP NUT, 6-32	4
10	BOLT, 1/4-20x3/8 HH	1

