

Installation Sheet Ceiling T-Bar Camera Mount

71-0176A 10/2009

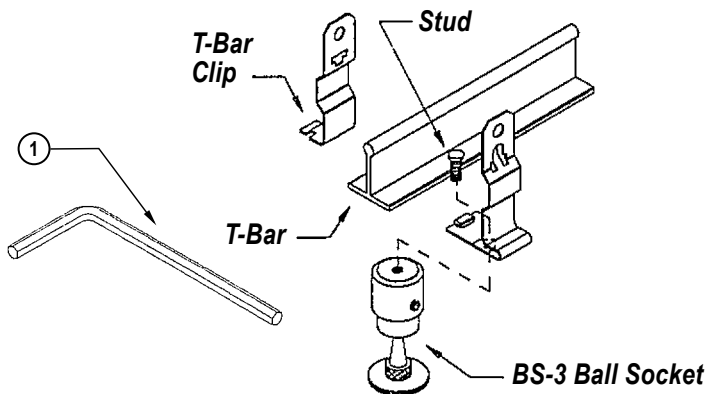
For TBS-3 & TBS-3-6

Parts List - TBS-3:

Item No.	Component Parts	Qty.
1	WRENCH ALLEN TAMPER RESISTANT 5/32	1
2	BS3 MOUNT BALL SOCKET	1
3a	CLIP T-BAR & STUD 1/4-20 X .625 ROHS	1

Parts List - TBS-3-6:

Item No.	Component Parts	Qty.
1	WRENCH ALLEN TAMPER RESISTANT 5/32	1
2	BS3 MOUNT BALL SOCKET	1
3b	CLIP BAR STUD 1/4-20 X 3 ROHS	1
4	EXTN TUBE ARM CRS 2.5IN TBS-3	1



To Install T-Bar Clip:

1. Break fastener in half as shown in Fig. 1 (Note: edges where fastener breaks may be sharp).
2. Straddle fastener over T-Bar as shown in Fig. 2.
3. Put bottom tab into bottom slot, as shown in Fig. 3 (A).

Recommendations:

1. Use hanger wire for additional stability and support as shown in Figure 4.
2. Do not use T-Bar clips outdoors or in corrosive atmospheres.

