

Installation Sheet

3" Ball Socket Mount w/ Magnet

71-0177A 10/2009

For BS-3-MAG

Parts List:

Item No.	Component Parts	Qty.
1	MOUNT, BALL SOCKET BS-3-CL	1
2	BASE, MAGNET	1
3	BOLT, 1/4-20x5/8, HH	1
4	LOCK WASHER, 1/4	1
5	ALLEN WRENCH, 5/32	1

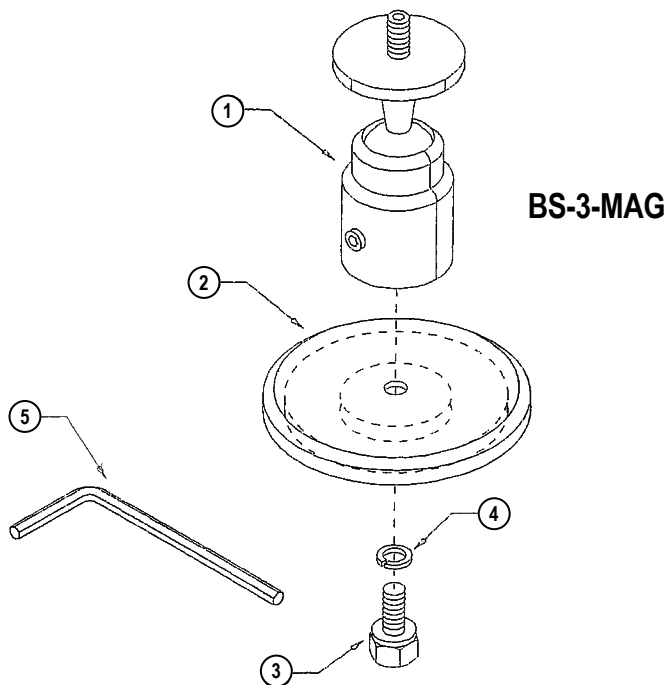
Applications:

The 3" Swivel Head Ball Socket Mount with Base, BS-3-MAG, is a mount that can save you time and money because the magnet provides a quick, rapid installation on surfaces. The MAGNET can be used on air conditioning ducts, pallet racks, light fixtures, roof support flanges, electrical junction boxes, or any flat, steel surface or object.

Included with the BS-3-MAG is the BS-3-CL, a 3" Swivel Head Ball Socket Mount, which is designed for tamper-resistant mounting of cameras. The mount head is adjustable from a level position to a tilt angle of 90°. The mounting head will rotate 360° and lock in any position with an Allen set screw. The socket can be adapted to almost any equipment that requires a wide range of movement by removing the washers and a hardened steel stud. Maximum recommended balance load is 20 lbs.

Instructions & Precautions:

When removing the magnet from surfaces, slide off or pry up. Avoid pulling mount straight up from the surface. This could cause the segments to separate.



SIDE VIEW DETAIL

