

Installation Sheet Rail Kit for T-Bar Drop Ceiling

71-0179B 10/2009

Instructions for ITCH-1RK

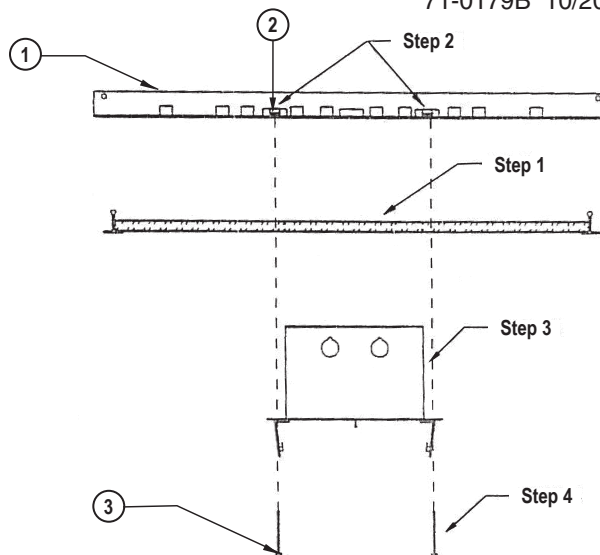
Parts List:

Item No.	Component Parts	Qty.
1	RAIL, PLATED	2
2	"G" NUT	4
3	SCREW, 10-32 x 2", PHP	4

Installation Instructions:

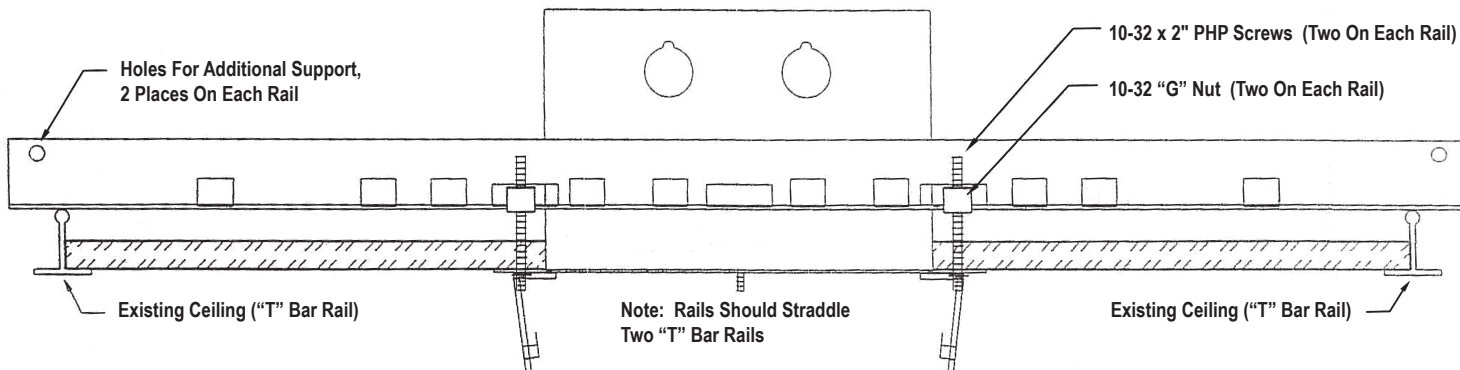
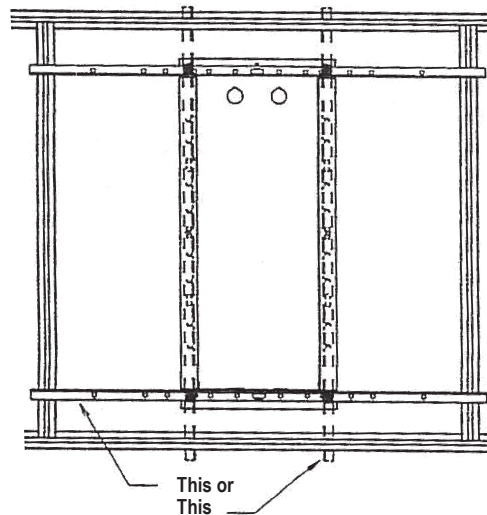
Rails can be installed with the following ceiling housings:
ITCH-1, SO-ITCH, SNITCH

1. Mark ceiling tile to make cut-out for the base of ceiling housing to go through. (Note: ITCH-1 housing shown.)
2. Place "G" nuts on rails to line up with the holes on housing base. (Note: rails may go along the sides, or at front and back of the housing base.)
3. Slip the housing base up through the cut-out hole on ceiling tile.
4. Attach base to ceiling by installing screws through holes on base, through ceiling tile, to the "G" nuts installed on rails.
5. Do not overtighten screws so as not to deform the ceiling tile.
6. Where required, install support wires to holes provided on each rail.
7. Finish housing installation. (Refer to installation sheet included with housing.)



TOP VIEW

NOTE: Rails may be installed at rear and front of part as shown, or at the sides of housing.



www.EMISecurity.com