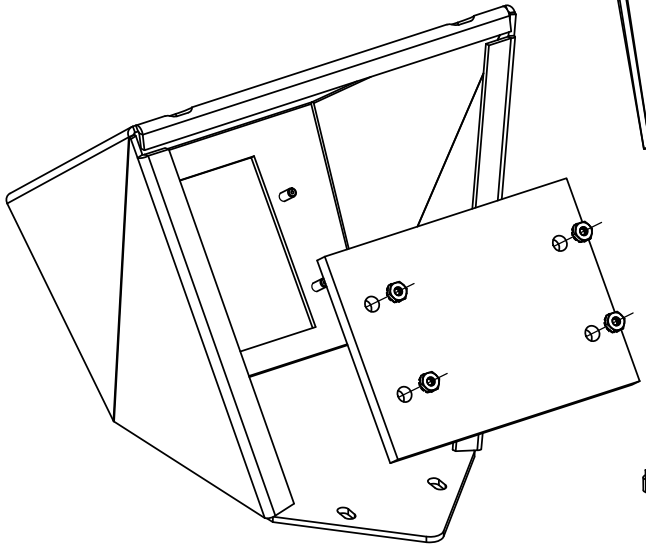
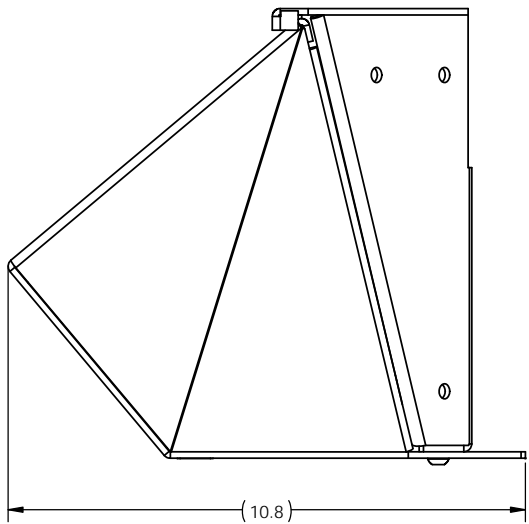
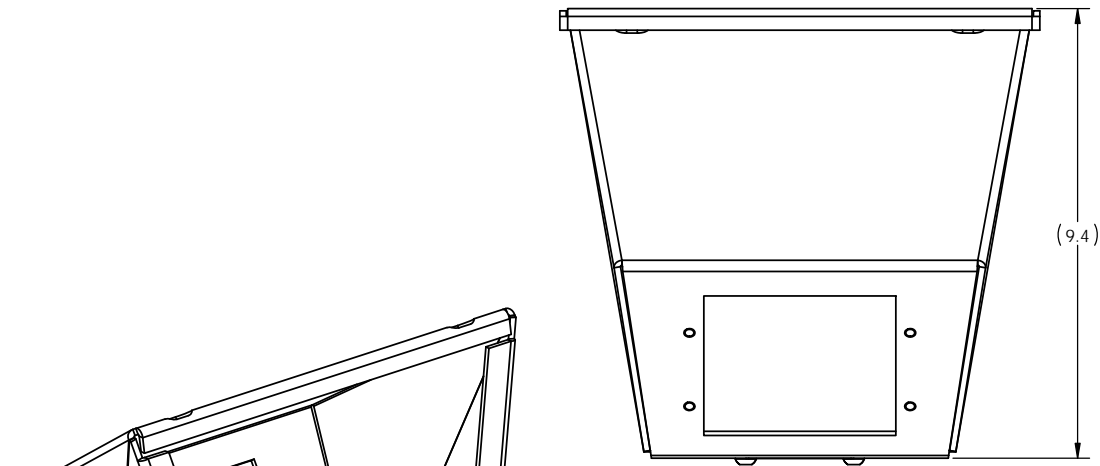


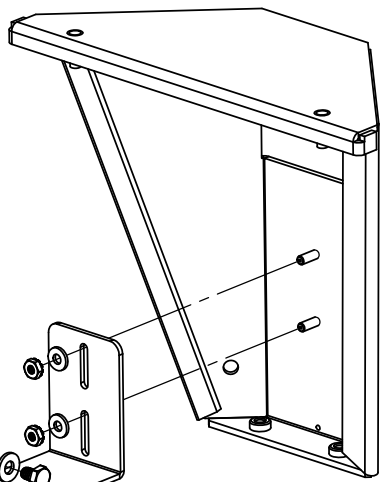
8 7 6 5 4 3 2 1

H  
G  
F  
E  
D  
C  
B  
A

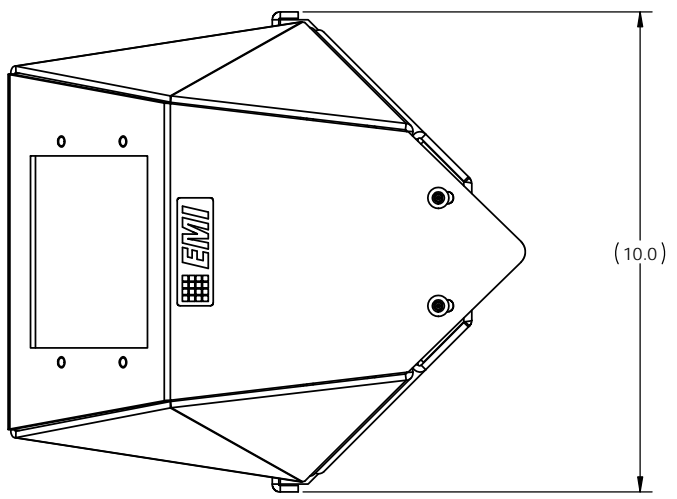
H  
G  
F  
E  
D  
C  
B  
A



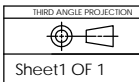
DETAILED INSTALLATION OF WINDOW AND NUTS TO FRONT COVER



DETAILED INSTALLATION OF BRACKET, BASE, HEAD AND HARDWARE TO BACK OF UNIT



|  |                |  |          |       |        |         |    |
|--|----------------|--|----------|-------|--------|---------|----|
| DRAWN  | SKS            | DATE   | 10/04/12 | SCALE | N.T.S. | CHECKED | JB |
| TOLERANCES UNLESS OTHERWISE SPECIFIED  |                |  |          |       |        |         |    |
| ± .020   | ANGLES ± 0°30' |  |          |       |        |         |    |
| FLAT VIEW  | ± .015         | DESC<br>CORNER CAMERA HOUSING (14GA.)<br>CORNER CAMERA HOUSING DETENTION (10GA.) |          |       |        |         |    |
| NOTE: DIMENSIONAL TOLERANCES ARE NON-ACCUMULATIVE ON FLAT VIEW   |                | MAIL   |          |       |        |         |    |
| THIS DOCUMENT AND THE INFORMATION SHOWN ON IT ARE CONFIDENTIAL AND CANNOT BE COPIED IN WHOLE OR IN PART WITHOUT THE EXPRESS WRITTEN CONSENT OF EMI SECURITY. |                | DWG NO<br>CCEH-200-W<br>CCEH-200D-W  |          |       |        |         |    |
| CAD FILE NAME:   |                |  |          |       |        | REV     | F  |



Sheet1 OF 1

8 7 6 5 4 3 2 1

SolidWorks C