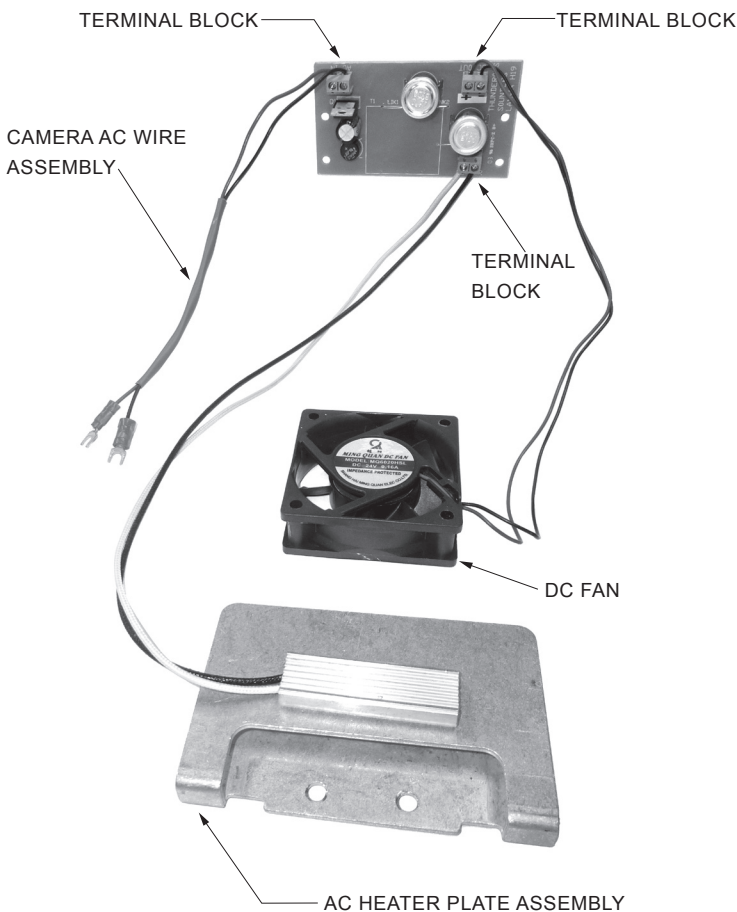
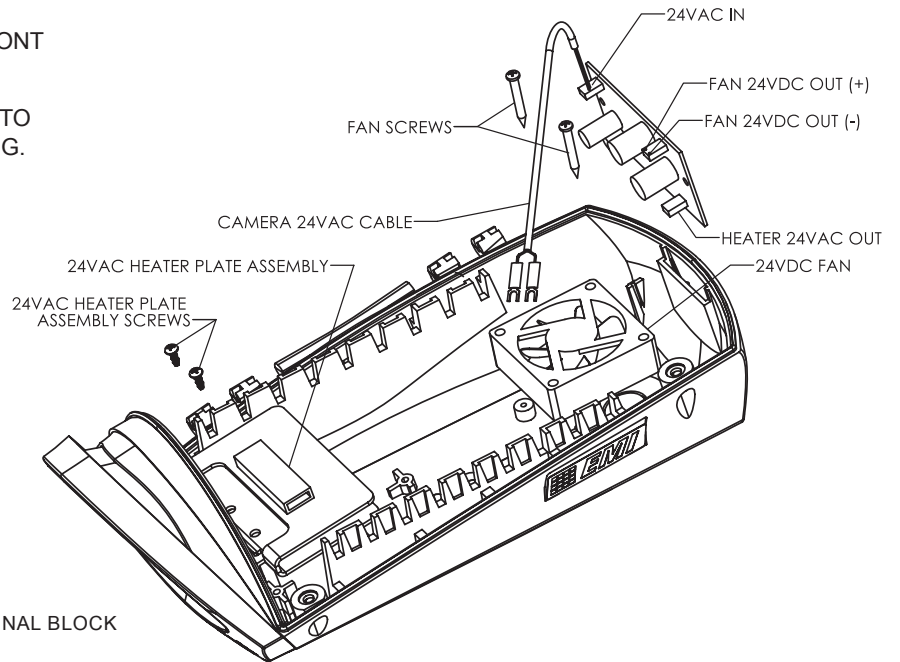


## Mini-Magnum™ Blower/Heater Kit

707116-07 Rev D – 11/2012

- (A) ALIGN WIRES COMING OUT OF FAN WITH CUTOUT SLOT ON SIDE OF FAN COMPARTMENT.
- (B) INSTALL FAN WITH SCREWS PROVIDED.
- (C) INSTALL HEATER PLATE ASSEMBLY AT BOTTOM FRONT OF HOUSING WITH SCREWS PROVIDED.
- (D) INSTALL THERMOSTAT PCB WITH COMPONENTS INTO PLASTIC RETAINING RIBS AT THE BACK OF HOUSING. (BE CAREFUL NOT TO CUT/DAMAGE WIRES).



NOTE: USE A SMALL SCREWDRIVER TO TURN SCREWS IN TERMINAL BLOCK FRONT TO INSERT OR REMOVE WIRES INTO OPENINGS.

NOTE: TINNING END OF WIRE MAKES IT EASIER TO INSTALL

